

Technical Specification

Raritan PX
Model Number: PX2-1493

200-240V
32A
6.4-7.7KVA




Line Drawing



Features

| | |
|-------------------------------------|--|
| Energy Metering | Voltage (V), Current (A), Active Power (kW), Real Power (kVA), Energy (kWh), Power Factor |
| Metering Accuracy | ISO/IEC 62053-21 1% |
| Metering per Input Line | Yes |
| Metering per Branch Circuit Breaker | Yes |
| Metering per Output Receptacle | No |
| Remote Outlet Switching | No |
| Environmental Sensor Ready | Yes |
| Networking | 10/100 BaseT Ethernet. Optional WiFi (802.11a/b/g/n) |
| Remote Management | HTTP(s); SSH; Telnet; RS-232 (Serial); Power IQ; SNMP version v2/v3; SMTP; JSON-RPC |
| Cascading | Yes up to (4) PDUs in a single cabinet can share a single Ethernet connection |
| Onboard Display | 3-digit user-selectable display (can be selected between Manual and Auto Display Mode). Can display Line voltage, Line current, CB Current (if IPDU supports CBs) and Unit active power |
| Compatible Sensors | Temperature, Humidity, Air Flow, Static Pressure Single cable connection provides temp/humidity monitoring at three points in cabinet (with a single sensor assembly) |

Input

| | |
|-----------------------|--|
| Input Plug | IEC60309 2P3W 32A (L1/L2/E) IP44("splashproof") (230V, Single phase)  |
| Cord Length | 3 meters (9.84 feet) standard |
| Cord Entry | Terminal block |
| Cable Type | 2P 3W |
| Number of Power Cords | 1 |
| Maximum Input Current | 32A (per line) |
| Nominal Input Voltage | 230V, Single phase |
| Rated Input Voltage | 200 - 240V, Single phase |
| Input Frequency | 50/60Hz |
| Power Capacity | 6.4kVA at 200V, 7.7kVA at 240V |

Output

| | |
|------------------------|---|
| Nominal Output Voltage | 230V |
| Rated Output Voltage | 200 - 240V |
| Output Connections | a. (20) IEC 60320 C13 2-pole, 3-wire; 10A b. (4) IEC 60320 C19 2-pole, 3-wire; 16A |
| Overload Protection | (2) 16A 1-pole Airpax LEGBX6-37483-16-V circuit breaker |
| Cable Retention | Raritan SecureLock™ Ready Optional retention clips are also available |

Physical

| | |
|------------------------|---|
| Dimensions (W x D x H) | 2.1" x 2.1" x 60.6" ; 52.00mm x 53.00mm x 1539.00mm |
| Color | Black powder coat |
| Mounting | Tool-less button mount |

Environmental

| | |
|-----------------------------|-----------------------|
| Operating Environment | 5 - 50°C (41 - 122°F) |
| Operating Relative Humidity | 5-95% |
| Operating Elevation | 0-10000ft |

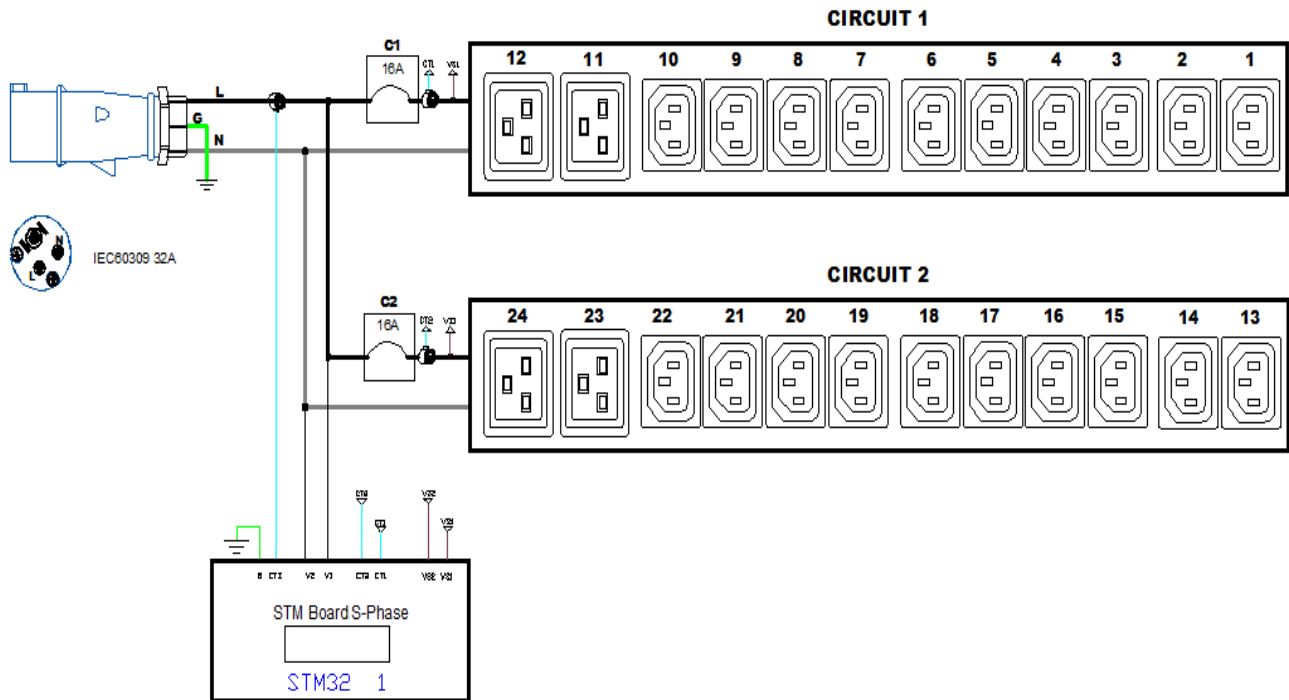
Conformance

| | |
|----------------------|--|
| Regulatory Approvals | Canada ICES-003, Class A Part 15 Class A of the FCC rules RoHS compliant |
|----------------------|--|

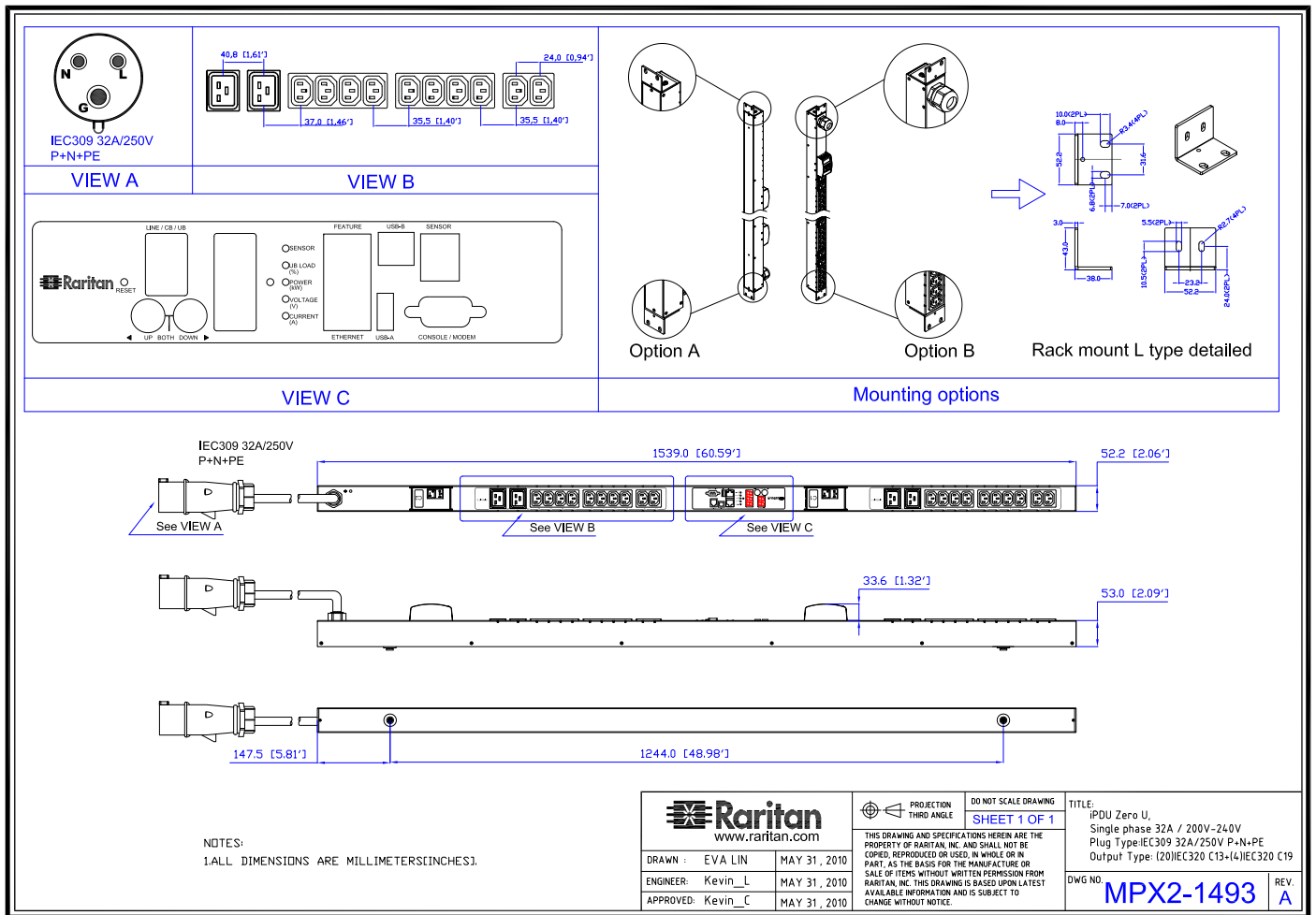
Control Panel Detail



Electrical Drawing Detail



Mechanical Diagram



Compatible Sensors

| | |
|---------------|--|
| Environmental | DPX-T1 : single temperature node DPX-T2H2 : 2 nodes: each providing both temp + humidity DPX-T3H1 : 3 temperature nodes; one also with humidity DPX-TDP1 : temperature + differential air pressure DPX-AF1 : air flow sensor DPX-CC2-TR : Dual contact closure sensor |
|---------------|--|

Trip Curve of Circuit Breaker



©2013 Raritan Inc. All rights reserved. Raritan®, Know More. Manage Smarter.TM, Dominion® and PX® are registered trademarks or trademarks of Raritan Inc. or its wholly owned subsidiaries. All others are registered trademarks or trademarks of their respective owners. For more information, please visit www.raritan.com