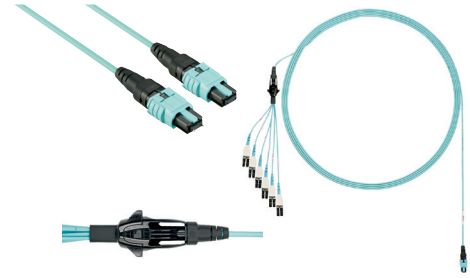


technical information

PanMPO™ Round Harness Cable Assemblies are pre-terminated 12-fiber cable assemblies. The unique design of the PanMPO™ Connector allows for rapid gender change in the field, in support of standards-compliant cable plant migration from 10G cassette-based systems to 40G MPO connector-based parallel optics cable plant. PanMPO™ Harness Assemblies meet the demands of 10G Ethernet, higher speed 40G Ethernet, and high-speed ANSI Fibre Channel systems, while maintaining compliance to the recommendations of TIA-568-C for both Serial Duplex and Parallel Optics wiring schemes. LC uniboot connectors reduce cable density on the switch by 40% and allow easy change of polarity.



application

Connect multiple MPO-based infrastructure components to LC-based transceivers, such as LAN switches, servers, patch panels, and zone distribution areas. New cable management transition allows multiple harnesses to attach to each other or be secured to a rack or cabinet with Tak-Ty® Hook and Loop Cable Ties.

construction

Cable type:	3.0mm round indoor
Cable jacket ratings:	Optical Fiber Nonconductive Plenum (OFNP) Low Smoke Zero Halogen (LSZH)
Fiber types:	Bend insensitive OM3 Bend insensitive OM4
Connector types end 'A':	PanMPO female PanMPO male
Fiber count:	8 = 8-fiber 12 = 12-fiber
Jacket color:	OM3: Aqua OM4: Aqua
Connector types end 'B':	LC Uniboot (polarity changeable)

optical properties

Maximum cable attenuation:	Multimode:	3.5dB/km at 850nm, 1.5dB/km at 1300nm
Maximum connector insertion loss:	Standard MPO:	0.50dB
	Standard LC:	0.25dB
Minimum connector insertion loss:	Multimode:	26dB minimum

physical properties

Cable outside diameter (OD):	3.0mm
Minimum bend radius:	30mm
Flex:	100 cycles at 4.9N
Twist:	10 cycles @ 15N
Cable retention strength:	50N
Connector durability:	500 mating cycles*

environmental properties

Operating temperature:	0°C to 50°C
Storage and shipping temperature:	-40°C to 65°C
Installation temperature:	0°C to 50°C

standards

Meets or exceeds ISO/IEC 11801, TIA/EIA-568-C.3, TIA-604-5 (FOCIS-5), TIA/EIA-604-10 (FOCIS-10), TIA/EIA-568-C.1

RoHS compliant

*With proper cleaning and inspection

PanMPO™ Round Harness Cable Assemblies

part number

Example: FZTRP8NUSNF003 = Fiber OM4, 12-fiber, round, plenum rated, PanMPO male to LC uniboot harness with 61cm equal breakout, standard IL, no pulling eye, 3 feet

CHARACTER	1	2	3	4	5	6	7	8	9	10	11	12	13	14	15
EXAMPLE	F	Z	T	R	P	8	N	U	S	S	N	F	0	0	3

1 – Fiber Product

F = Fiber

2 – Fiber Type

X = OM3

Z = OM4

3 – Fiber Count

T = 12-fiber

8 = 8-fiber

4 – Cable Type

R = Round

5 – Jacket Type

L = Low Smoke Zero Halogen (LSZH)

P = Optical Fiber Nonconductive Plenum (OFNP)

6 – Connector Type End “A”

7 = PanMPO™ Female

8 = PanMPO™ Male

7 – Connector Variant

N = No variant

8 – Connector Type End “B”

U = LC Uniboot

9 – Connector Variant

D = 1m equal breakout

S = 61cm equal breakout

F = Staggered pair 1

longest breakout

G = Staggered pair 1

shortest breakout

H = Staggered pairs 1 and 2

longest breakouts

J = Staggered pairs 1 and 2

shortest breakouts

10 – Construction/Performance

S = Standard IL-Straight Thru

11 – Other

N = No variant

12 – Unit of Length

M = Meters

F = Feet

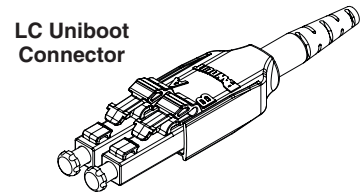
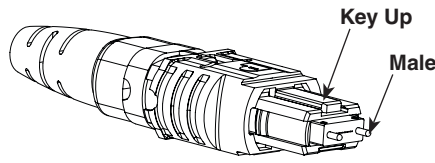
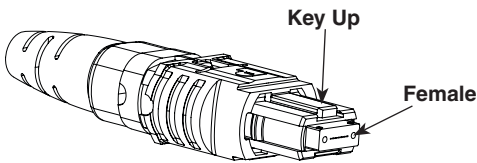
13, 14, 15 – Length

Meters: 001 to 030

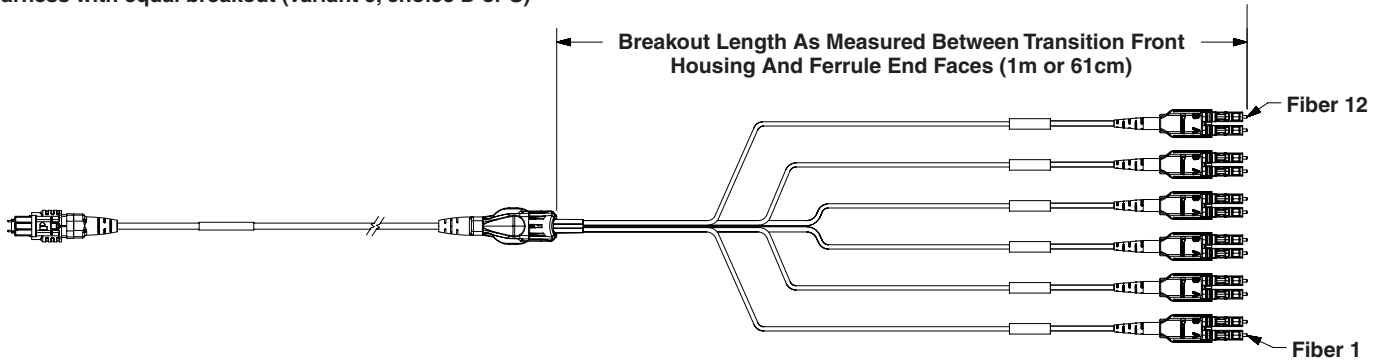
Feet: 003 to 100

For additional options, contact Panduit Customer Service at 800-777-3300.

harness assembly detail



Harness with equal breakout (variant 9, choice D or S)

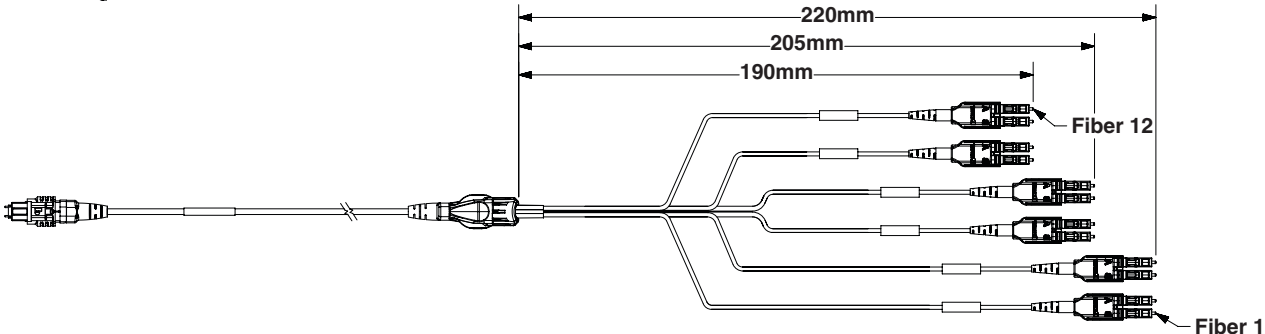
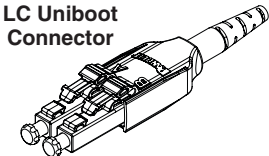
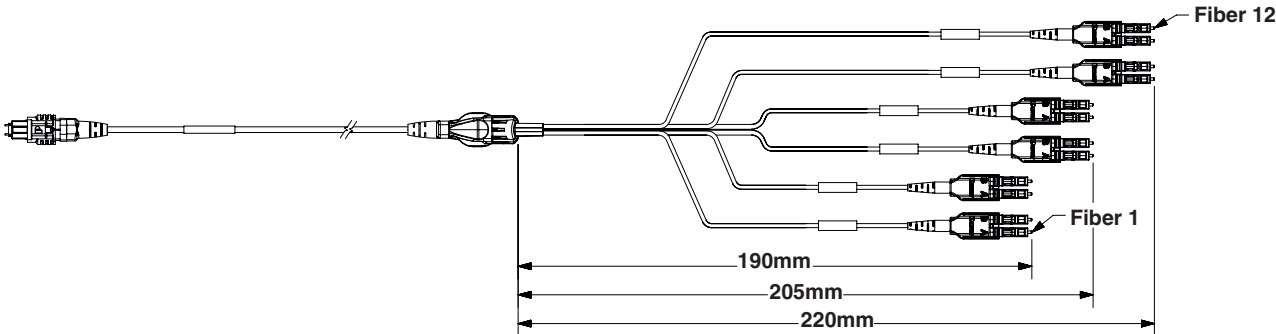


Note: 8F version is numbers 1 – 8 with fibers 9, 10, 11, and 12 dark.

PanMPO™ Round Harness Cable Assemblies

staggered harness assembly detail

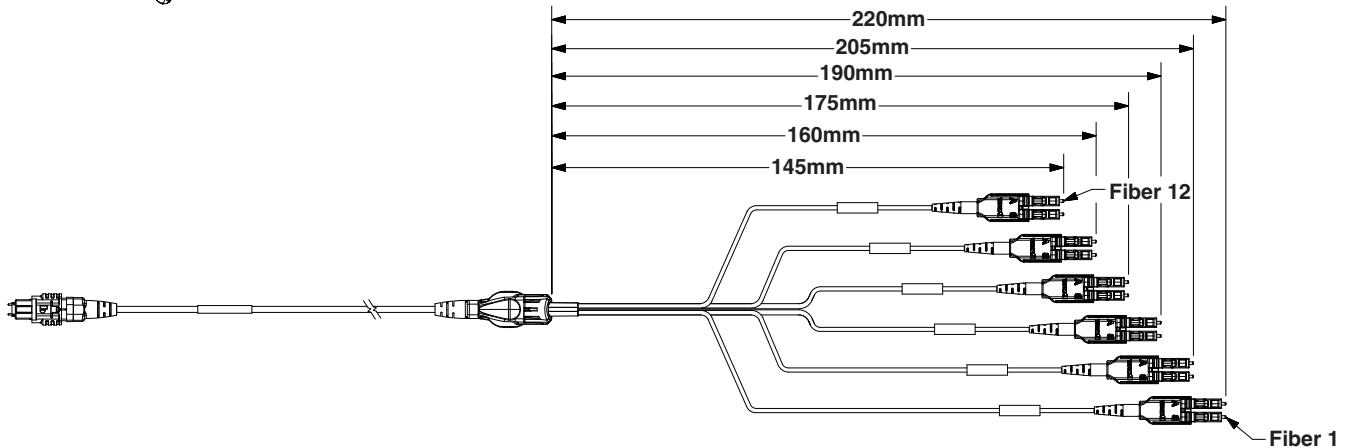
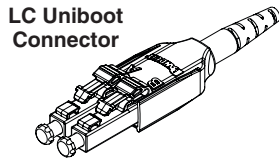
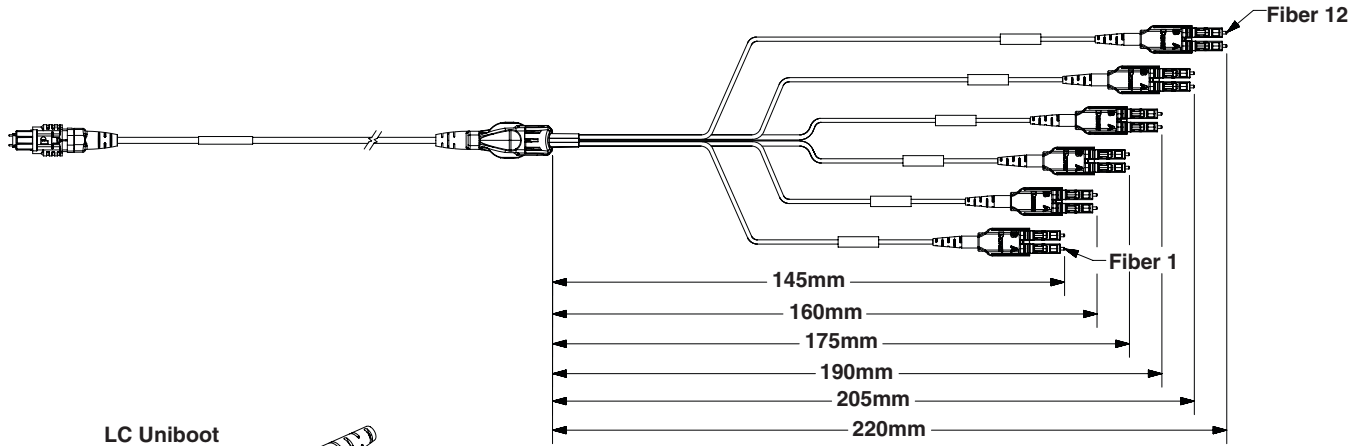
Harness with pairs 1 and 2 shortest or longest (variant 9, choice J or H)



PanMPO™ Round Harness Cable Assemblies

staggered harness assembly detail

Harness with pair 1 shortest or longest (variant 9, choice G or F)



WORLDWIDE SUBSIDIARIES AND SALES OFFICES

PANDUIT CANADA
Markham, Ontario
cs-cdn@panduit.com
Phone: 800.777.3300

PANDUIT EUROPE LTD.
London, UK
cs-emea@panduit.com
Phone: 44.20.8601.7200

PANDUIT SINGAPORE PTE. LTD.
Republic of Singapore
cs-ap@panduit.com
Phone: 65.6305.7575

PANDUIT JAPAN
Tokyo, Japan
cs-japan@panduit.com
Phone: 81.3.6863.6000

PANDUIT LATIN AMERICA
Guadalajara, Mexico
cs-la@panduit.com
Phone: 52.33.3777.6000

PANDUIT AUSTRALIA PTY. LTD.
Victoria, Australia
cs-aus@panduit.com
Phone: 61.3.9794.9020

For a copy of Panduit product warranties, log on to www.panduit.com/warranty

For more information

Visit us at www.panduit.com

Contact Customer Service by email: cs@panduit.com
or by phone: 800.777.3300

©2014 Panduit Corp.
ALL RIGHTS RESERVED.
FBSP81--WW-ENG
9/2014