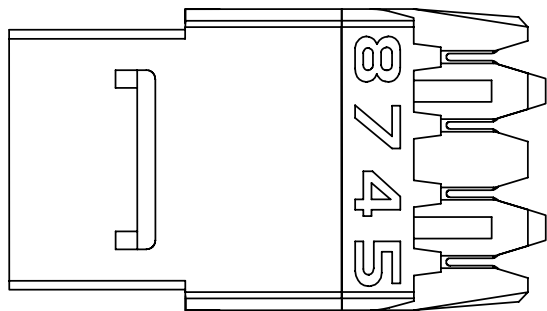
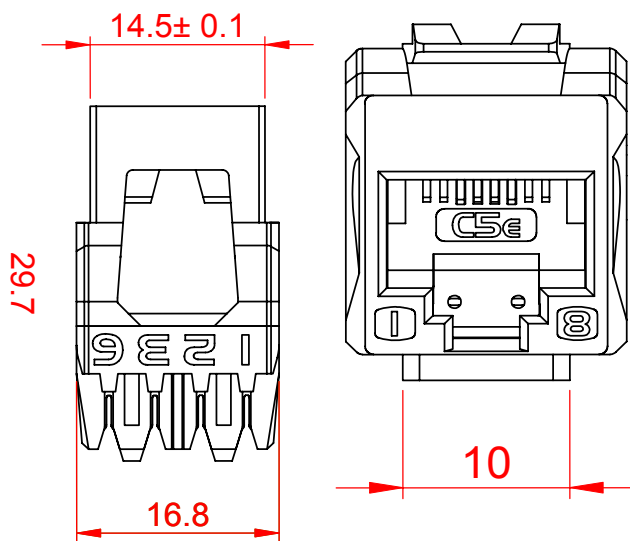
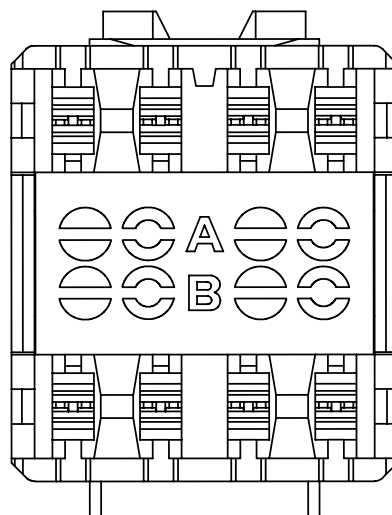
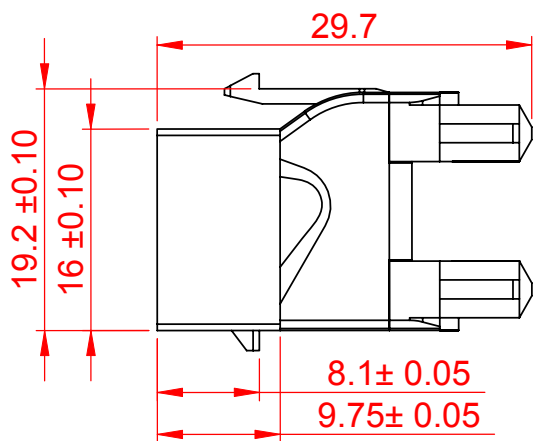
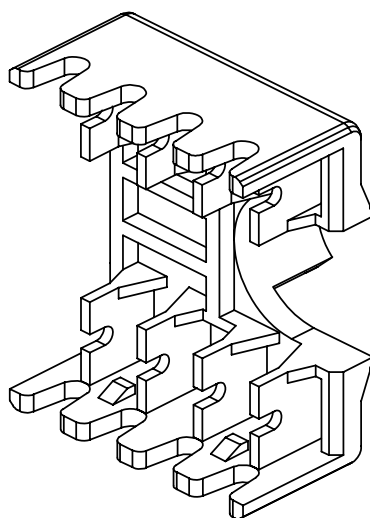
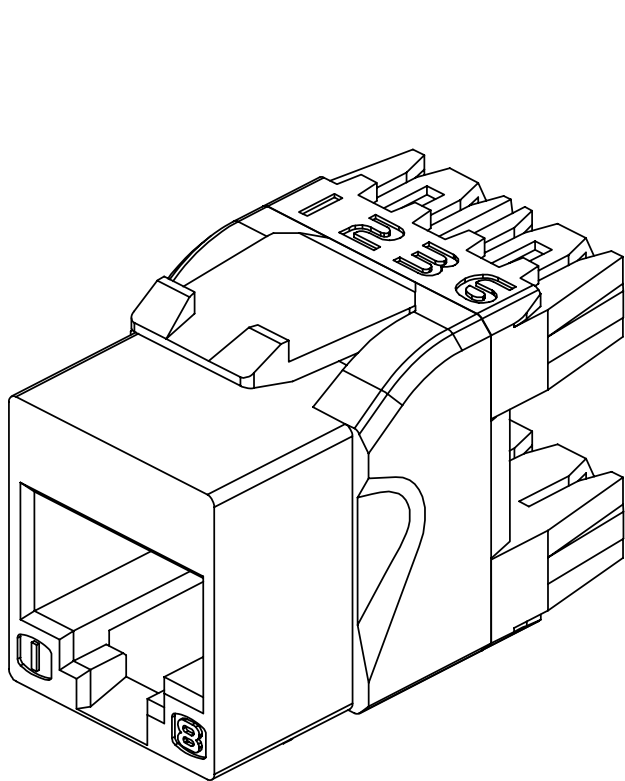
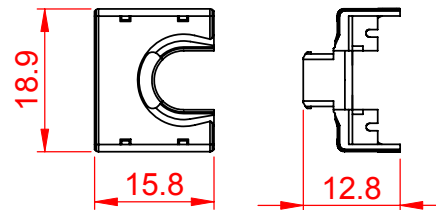
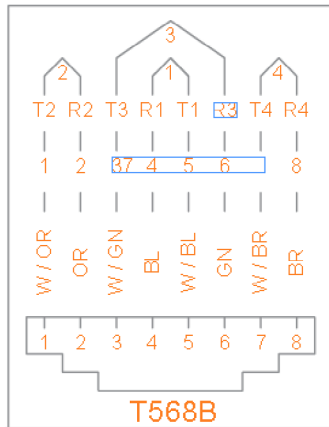


NN5EJACKUTPWH - NENCO CAT5E UTP JACK WITH IDC CAP WHITE





MATERIALS

HOUSING : POLYCARBONATE RESIN HIGH-IMPACT UL94V-0 THERMOPLASTIC.

SPRING WIRE: PHOSPHOR BRONZE C5210-EH, T=0.35MM, 50U" GOLD OVER 60U" NICKEL UNDERCOAT ON CONTACT AREA.

IDC PLASTIC : POLYCARBONATE RESIN HIGH-IMPACT UL94V-0 THERMOPLASTIC.

IDC CONTACT: PHOSPHOR BRONZE C5191R-H, T=0.4MM, 150U" TIN OVER 70U" NICKEL UNDERCOAT.

PHYSICAL CHARACTERISTICS

SUITABLE IMPACT TOOL: 110/KRONE STYLE PUNCH DOWN TOOL.

INSERTION LIFE : 750 MATING CYCLES WITH FCC COMPLIANT 8P PLUG.

CONTACT FORCE : 100 GRAMS WITH FCC COMPLIANT 8P PLUG.

PLUG RETENTION FORCE : 11 LBF MIN.

DURABILITY : 200 TERMINATION CYCLES.

CONTACT COMPATIBILITY : ACCOMMODATES 22 TO 24 AWG SOLID.

OPERATING TEMPERATURE RANGE : -10 C TO 60 C.

STORAGE TEMPERATURE RANGE : -40 C TO 68 C.

HUMIDITY : 10%~90%RH.

ELECTRICAL

INSULATION RESISTANCE : 500 MΩ.

DIELECTRIC WITHSTANDING VOLTAGE : 1000 V AC.

DC CURRENT RATING : 1.5 Amps.

DC RESISTANCE : 0.1Ω.

CONTACT RESISTANCE : 20mΩ.

NOTE

* DO NOT INSERT RJ-11 6P PLUG.