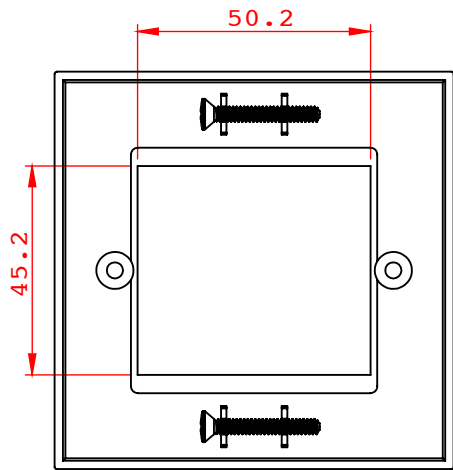
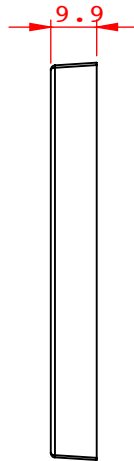
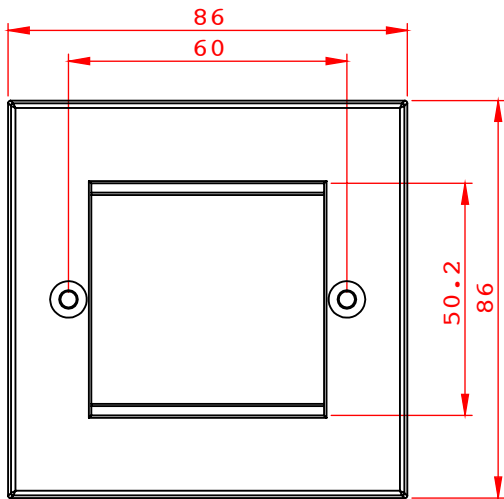
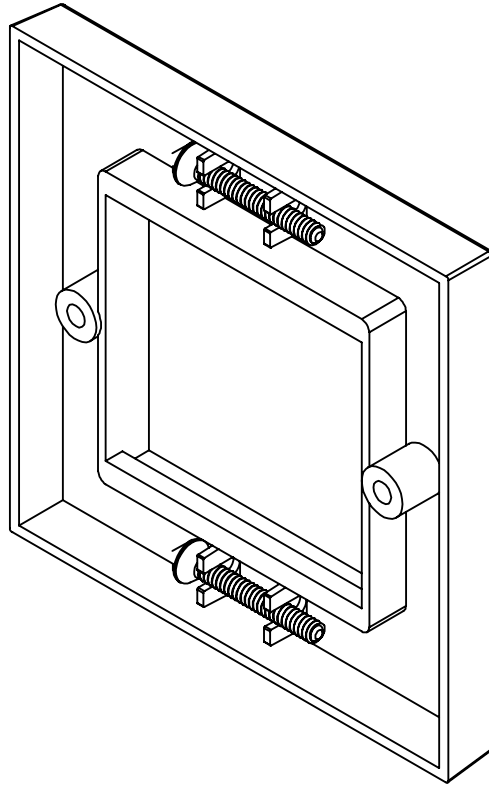
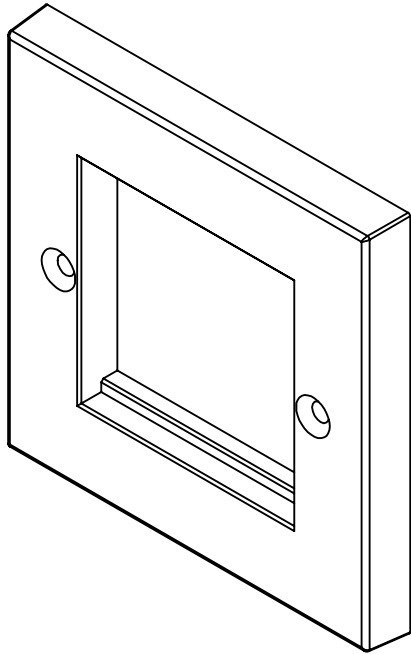


NNSGFPWH - SINGLE GANG FACE PLATES



- Material: ABS High- Impact UL94V-0
- Screw: Slotted Oval Head (Countersunk) M3.5 X 30MM Nickel Plated
- Operating Temperature Range: -10°C to 60°C
- Storage Temperature Range: - 40°C to 68°C
- Humidity: 10% -90% RH