



Fixed dome LD2122 in the L series is featuring built-in Sense up+ technology to deliver stunning video in low-light conditions. Utilizing intelligent image signal processing, 2D WDR function, AGC control, and 3D Noise Reduction, the combination successfully delivers the ultimate low-light image without motion blur. Support with PoE, privacy mask, White balance, and minimum illumination 0.6 Lux at F1.6 Low Light Mode or 0.8 Lux at F1.8 Low Light Mode.

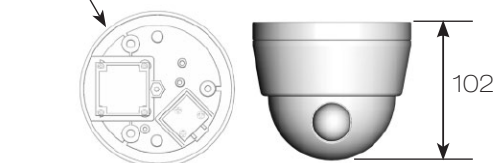
FEATURES :

- Full HD 2 megapixel CMOS image sensor
- True H.264 AVC/MPEG-4 part 10
- H.264 and Motion JPEG triple Video streaming
- 3D Noise Reduction (MCTF)
- 2D WDR function
- Digital zoom supported
- Motion detection
- 3-Axis camera construction
- Screw-on design dome cover for easy and secure installation
- ONVIF supported

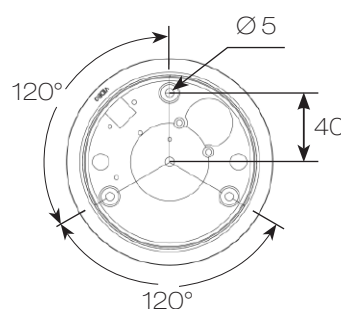
DIMENSIONS : (Unit : mm)

Ø120 x 102

Ø120



INSTALLATION HOLE SITE DIAGRAM :



SPECIFICATION :

Name		1080P HD Dome IP Camera		
Model		LD2122E4	LD2122E6	
Lens	Focal length	4 mm	6 mm	
	Iris	F1.6	F1.8	
	Angle of view	H	84.8°	57.6°
		V	45.2°	31.4°
D		100.6°	67.3°	
Pick up element	1/2.7" CMOS image sensor			
Effective pixels	1920 (H) x 1080 (V) = 2,073,600 (pixel)			
Chip size	5.856mm (H) x 3.276mm (V)			
Scanning system	Progressive Scan			
Min. illumination	0.6 Lux at F1.6	0.8 Lux at F1.8		
White balance	Auto / Tungsten / Indoor / Fluorescents1 / Fluorescents2 / Outdoor1 / Outdoor2			
Back light compensation	Off / On			
Electronic shutter	1/30(1/25)s - 1/8000s			
Sense up	Off / 1 Frame / 2 Frames / 3 Frames / 7 Frames			
Sense up +	Yes			
Auto gain control	36 dB Variable Gain			
3D Noise Reduction	Off / 1 - 32 Selectable			
2D WDR	Off / x2 / x3 / x4			
Privacy masking	Off / On (4 zones)			
Image effects	Brightness, Contrast, Hue, Saturation, Sharpness, Mirror, Flip			
Operating temperature	-25°C - +50°C (-13°F - 122°F)			
Dimension	Ø 120 x 102mm			
Weight	400g			
Power supply	DC12V ±10% / PoE (IEEE 802.3af compliant)			
Power consumption	DC12V, 5W / PoE, 6W			

Network	
Video compression	H.264 , Motion JPEG
Resolution	1080P(1920 x 1080), 720P(1280 x 720), D1(720 x 480), CIF(352 x 240)
Maximum frame rate	H.264 : up to 15 fps @ 1920 x 1080 , 30fps @ 1280 x 720 , 30fps @ 720 x 480 Motion JPEG : up to 15 fps @ 1920 x 1080 , 30 fps @ 720 x 480 , 30 fps @ 352 x 240
Video streaming protocol	RTP/HTTP, RTP/TCP, RTP/UDP, Multicast
Video bitrate	128Kbps - 5Mbps
	Frame rate and bit rate controllable on-the-fly VBR / CBR / GOP supported
Security	Base64 HTTP encryption
	Multiple user access levels with password protection
	10 user accounts available
Users	8 simultaneous users
Digital zoom	Yes
OSD	Text overlay for date, time, and camera name
Alarm functions	Image upload over FTP and E-mail by motion detection
CPU, memory	Embedded SoC ARM11, 528MHz, 256MB DDR2, 256MB flash memory
Maintenance	Firmware update via HTTP
	Firmware available at web site
Network interface	10Mbps / 100Mbps Base-T, RJ-45
PC requirement	OS : Windows 2000, Windows XP, Windows Vista, Windows 7, Windows 8
	Browser : Windows Internet Explorer 6.0 or above
	CPU : Intel Pentium 4 1.8GHz or above RAM : 1GB or above, Independent Display Card
Network protocols	IP, TCP, UDP, HTTP, SMTP, NTP, DDNS, UPnP, FTP, ARP, DHCP, PPPoE, DNS, RTSP, RTCP, Telnet, ICMP, IGMP, ONVIF Profile S, SNMP, SIP, Bonjour
Mobile phone	iPhone, iPad, and Android support
System integration	ONVIF & LILIN HTTP API
Central management system	CMX 3.6 / NAV 1.0 support
Video display	LILIN Universal ActiveX & LILIN Java Applet
OS	Embedded Linux 2.6.32