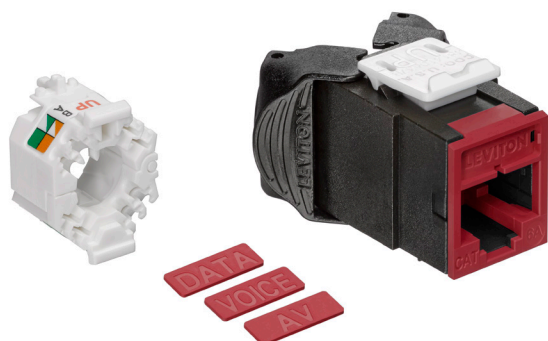


Atlas-X1® Cat 6A Component-Rated UTP QuickPort® Jack

APPLICATION

The Atlas-X1 Cat 6A Component-Rated UTP QuickPort Jack supports 10GBASE-T networks. The jack is part of a complete Atlas-X1 Cat 6A UTP system, ideal for the most demanding mission-critical network applications. The connector supports emerging technologies and will easily adapt to network trends.



SPECIFICATION

The jack shall meet or exceed the requirements for channel and component-level electrical transmission performance as described in ANSI/TIA-568.2-D (Cat 6A), ISO/IEC 11801-1 (Class E_A), and EN 50173-1 (Class E_A). The jack shall be compliant with ANSI/TIA-1096-A, cULus listed, and be independently verified for electrical transmission performance and power delivery. The jack body shall be made of die-cast zinc and all plastic components shall be made of high-impact, fire-retardant plastic rated UL 94V-0. The jack shall support tool-free termination/re-termination and shall not require a specialized termination tool. The jack wiring shall be universal to accommodate T568A and T568B wiring schemes. The jack shall be available in 13 colors; more than established by the ANSI/TIA-606-C standard. The jack shall be offered in standard and shuttered styles and select jacks shall be supplied with interchangeable icons. It shall exceed IEEE 802.3bt standard up to 0.5 amps per conductor (100 watts) continuously.

DESIGN CONSIDERATIONS

- Use in any QuickPort housing to support Cat 6A UTP connectivity in surface-mount, flush-mount, or modular furniture outlets and field-configurable panels
- Can be used in conjunction with other QuickPort snap-in modules for voice/data/video applications over UTP, coax, and fiber
- To identify ports, use different colored modules and icons for each application (full selection of ANSI/TIA-606 compatible colors, 13 available)
- Robust housing and shutter protects the jack in harsh environments

FEATURES

- Independently tested and guaranteed to exceed all component, permanent link, and channel margins
- Patented Retention Force Technology™ (RFT) protects against time damage and increases system longevity
- For Power over Ethernet, RFT maintains contact force between plug and jack, preventing arcing from intermittent disconnects
- Unique design supports tool-free termination/re-termination and requires no specialized termination tool
- Short jack design supports a wider range of applications (e.g. shallow boxes, enclosures, bend radius, etc.)
- Terminates from 26 to 22 AWG solid or stranded conductors for use on various cable types
- Robust IDCs can withstand 20 re-termination cycles and jack contacts are tested for 750 plug-mating cycles to ensure system longevity
- Available in 13 ANSI/TIA-606-C compatible colors
- Tested and approved for use in air-handling spaces (plenum rating) in accordance with UL Standard 2043
- Select jack available with interchangeable icons (voice, data, A/V, and blank, color coded to match the jack face) for easy identification and tracking of data, voice, or other functions
- Jack with internal shutter protects against dust and debris
- Solid metal body dissipates 53% more heat than plastic, minimizing damage from excess heat in PoE applications
- Tine geometry prevents arcing damage where plug and jack make contact
- Will exceed IEEE 802.3bt standard up to 0.5 amps per conductor (100 watts) continuously
- ETL verified to meet the IEC 60512-99-002 standard for support of IEEE 802.3bt Type 4 PoE (90-watt) applications

STANDARDS & REGULATIONS

- ANSI/TIA-568.2-D (Cat 6A)
- ISO/IEC 11801-1 (Cat 6A)
- EN 50173-1 (Cat 6A)
- ANSI/TIA-1096-A (formerly FCC Part 68)
- IEC 60603-7 (includes IEC 60512-5-2)
- IEC 60512-99-002
- IEEE 802.3bt PoE Type 1 (15.4 Watts) formerly 802.3af, Type 2 (30 Watts) formerly 802.3at, Type 3 (60 Watts), Type 4 (90 Watts)
- Cisco UPoE (60 Watts), UPoE+ (90 Watts)
- Power over HDBaseT™ PoH (95 Watts)
- cULus Listed (UL 1863)
- UL 2043 Plenum Certified
- RoHS 3

COUNTRY OF ORIGIN

USA

PRODUCT SPECIFICATIONS

61UJK-xx6, ICONS-ICx



MECHANICAL SPECIFICATIONS

Dimensions: See below

Materials: **Jack Body:** Die-cast zinc

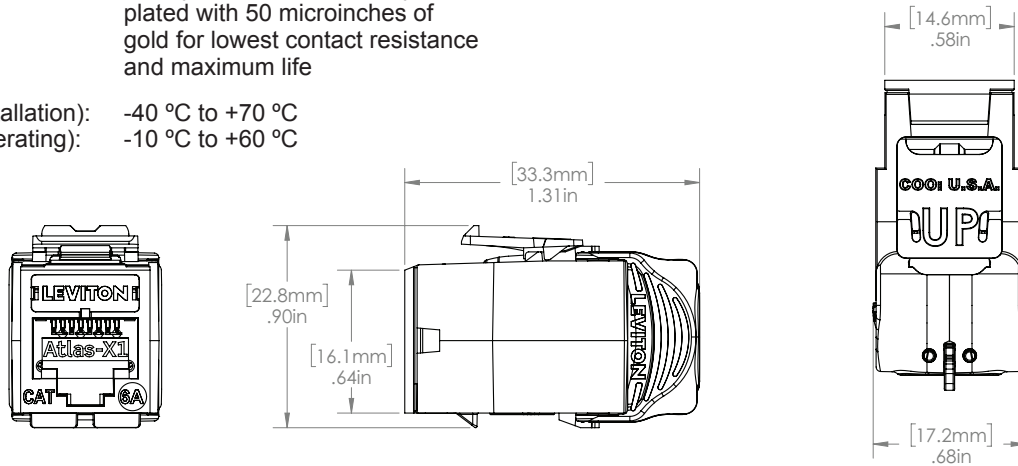
Spring-Wire Contacts: High-quality, copper-based alloy, plated with 50 microinches of gold for lowest contact resistance and maximum life

Temperature (Installation): -40 °C to +70 °C

Temperature (Operating): -10 °C to +60 °C

WARRANTY INFORMATION

For Leviton product warranties, go to leviton.com/warranty



6AUJK-xx6, ICONS-ICx

PART NUMBERS

| Description | Standard Jack | Jack w/ Shutter | GreenPack™ 12-Pack Standard Jack |
|------------------------------------------------------------------|---------------|-----------------|----------------------------------|
| Atlas-X1® Cat 6A Component-Rated UTP QuickPort® Jack, white | 6AUJK-RW6 | 6AUJK-SW6 | 6AUJK-CW6 |
| Atlas-X1 Cat 6A Component-Rated UTP QuickPort Jack, light almond | 6AUJK-RT6 | 6AUJK-ST6 | — |
| Atlas-X1 Cat 6A Component-Rated UTP QuickPort Jack, ivory | 6AUJK-RI6 | 6AUJK-SI6 | — |
| Atlas-X1 Cat 6A Component-Rated UTP QuickPort Jack, yellow | 6AUJK-RY6 | 6AUJK-SY6 | — |
| Atlas-X1 Cat 6A Component-Rated UTP QuickPort Jack, orange | 6AUJK-RO6 | 6AUJK-SO6 | — |
| Atlas-X1 Cat 6A Component-Rated UTP QuickPort Jack, crimson | 6AUJK-RC6 | 6AUJK-SC6 | — |
| Atlas-X1 Cat 6A Component-Rated UTP QuickPort Jack, dark red | 6AUJK-RR6 | 6AUJK-SR6 | — |
| Atlas-X1 Cat 6A Component-Rated UTP QuickPort Jack, purple | 6AUJK-RP6 | 6AUJK-SP6 | — |
| Atlas-X1 Cat 6A Component-Rated UTP QuickPort Jack, blue | 6AUJK-RL6 | 6AUJK-SL6 | 6AUJK-CL6 |
| Atlas-X1 Cat 6A Component-Rated UTP QuickPort Jack, green | 6AUJK-RV6 | 6AUJK-SV6 | — |
| Atlas-X1 Cat 6A Component-Rated UTP QuickPort Jack, gray | 6AUJK-RG6 | 6AUJK-SG6 | — |
| Atlas-X1 Cat 6A Component-Rated UTP QuickPort Jack, black | 6AUJK-RE6 | 6AUJK-SE6 | 6AUJK-CE6 |
| Atlas-X1 Cat 6A Component-Rated UTP QuickPort Jack, brown | 6AUJK-RB6 | 6AUJK-SB6 | — |

Color-matched icons (ICONS-ICx) can be ordered separately in 72-quantity packs.

Bulk wire managers (AXUJK-BWM) can be ordered separately in 10-quantity packs.

x = icon color



For further support information, visit leviton.com/ns/support

NETWORK SOLUTIONS GLOBAL HEADQUARTERS

Bothell, WA, USA | leviton.com/ns
(800) 824 3005 / +1 (425) 486 2222 | appeng@leviton.com

NETWORK SOLUTIONS EUROPEAN HEADQUARTERS

Glenrothes, UK | leviton.com/ns/emea
+44 (0) 1592 772124 | customerserviceeu@leviton.com

Leviton is dedicated to designing, developing and manufacturing sustainable high-performance structured cabling and speciality cabling solutions. Network Solutions products are available worldwide in over 100 countries. Visit us online to learn more.